



Door Contact Sensor

Part No. 960-001-0003

Key Features

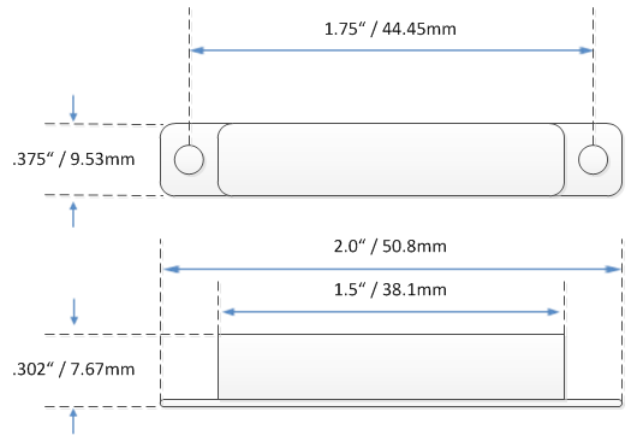
- Surface mount magnetic contact
- Screw down flange or self-stick
- Hermetically sealed
- Plated contacts resist sticking or freezing
- White with covers

Operation

This surface mount switch is a low profile solution to monitor site intrusion using a digital input. The kit includes a switch, a magnet, cable and covers. The 3M adhesive tape can be used for mounting on alluminium, wood or vinyl.

The sensor changes voltage when a magnet mounted near the sensor switch is moved away from or closer to the sensor switch.

Dimensions



Specifications

Loop Type	Closed
Electrical configuration	Normally open
Reed Form	A
Maximum initial contact resistance	0.150 Ohms
Maximum contact	10 W
Maximum switching voltage	160 VDC
Maximum switching current	0.4 A
Cable Length	50 feet (15 meters)
Maximum Gap	1 1/4" (31.75 mm)

Door Contact Sensor (continued)

Installation



Caution

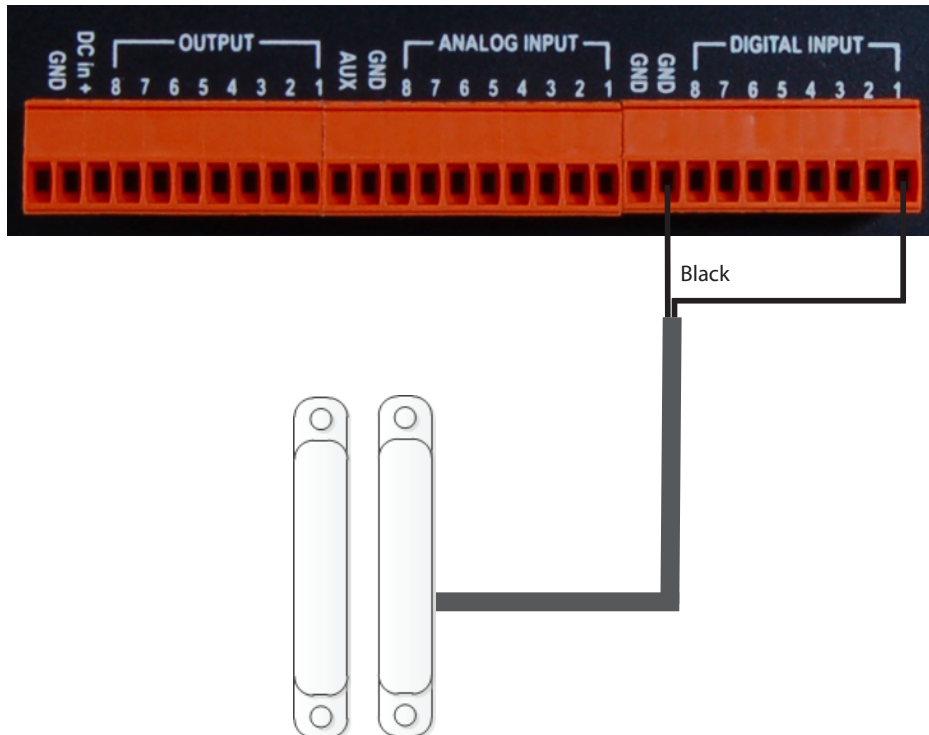
- Can cause electrical shock or equipment damage. Disconnect the power supply before connecting the wiring.
- To prevent over-voltage damage to the siteRSM or siteCOMMANDER, ensure that the door frame is properly grounded.

Mount the sensor switch on the door frame, and the magnet on the door.

Orient the sensor switch and magnet in the same direction.

Avoid mounting sensors in areas that will be exposed to moisture, or near the floor.

siteRSM or siteCOMMANDER



TASC Systems Inc. is continuously working to improve system performance and expand product capabilities. Specifications are subject to change without notice. NOTICE: Given the variety of factors that can affect the use and performance of a TASC Systems Product (the "Product"), it is essential that User evaluate the TASC Systems Product and software to determine whether it is suitable for User's particular purpose and suitable for User's method of application. TASC Systems' statements, engineering/technical information, and recommendations are provided for User's convenience. TASC Systems products and software are not specifically designed for use in "life support" applications. TASC Systems products and software should not be used in such applications without TASC Systems' express written consent.