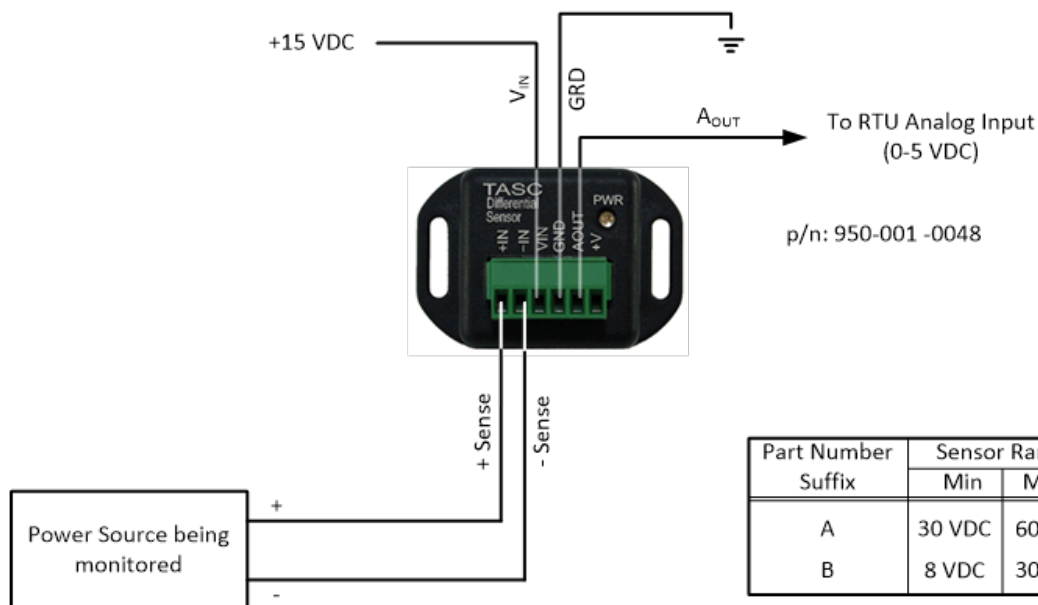


Differential Voltage Sensor

This sensor is designed to measure differential DC voltage for isolated power sources. The sensor ± sense inputs are connected to the power source as shown in the diagram below. AOUT from the sensor is then connected to one of the analog inputs of the TASC Systems' site monitoring device using ground as the return path. The diagram below provides the information needed to connect and setup the sensor.



VDC In	5 to 20 VDC
Current	2 mA Max.
Operating Temperature	-40 to +65°C
+IN / -IN	Common Mode Voltage (CMV) = 0 - 65 VDC
AOUT	0 - 5 VDC
Module Size	52mm x 36mm x 26mm (L x W x H)
Weight	15 g



Part Number Suffix	Sensor Range		TASC RTU Formula
	Min	Max	
A	30 VDC	60 VDC	0.0871 * x + 2.4963
B	8 VDC	30 VDC	0.0388 * x + 2.9628