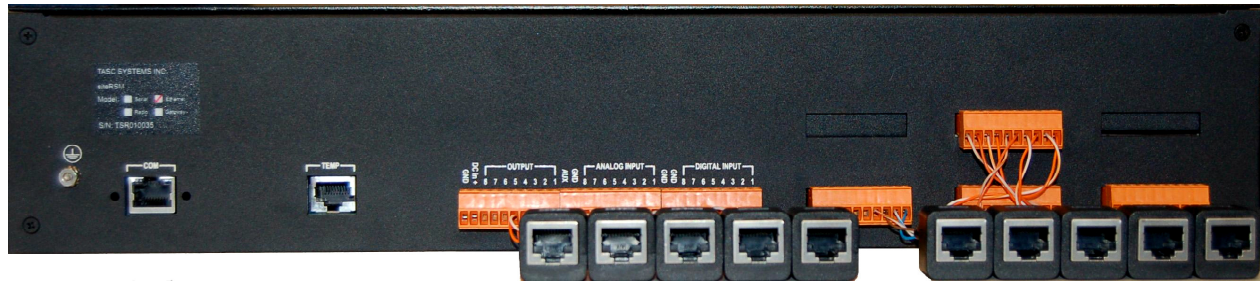




KENWOOD NXR & siteRSM 2RU Interface Guide



Overview

This installation guide provides the necessary information to interface the Kenwood NXR Exciter and Power supply with the TASC siteRSM Alarm Monitoring Unit. The RJ45 Jack provides easy connection between the siteRSM and each NXR channel.

Please reference the following documents for additional information:

- 050-015-0052 siteRSM User Manual
- 050-015-0055 SCCU siteRSM User Manual
- 050-015-0050 siteVIEW 2.0 User Manual

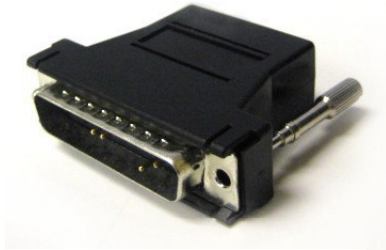
Items Required For Each Channel

- 1 – TASC siteRSM Alarm Monitor (Firmware 4.7.8.0 or higher)
- 1 – TASC siteVIEW 2.0 Alarm Monitoring Software
- 1 – 11 Pins MALE DB25 TO FEMALE RJ45 (For Samlex N+1 DC Power Supply)
- 1 – 4 Pins MALE DB25 TO FEMALE RJ45 (For Kenwood NXR)
- 2 – RJ45 Straight Through Cable



Interfacing siteVIEW and siteRSM

Plug in the DB25 Adapter into Kenwood NXR and Samlex Power Supply DB25 port.



DB25 TO RJ45 ADAPTOR

Note the pin position on the different adaptors. Use the Kenwood adaptor only on Kenwood NXR unit, and use PSU adaptor on the Samlex PSU only. Never mix the DB25 adaptors; doing so will damage the PSU and siteRSM 2RU equipment.

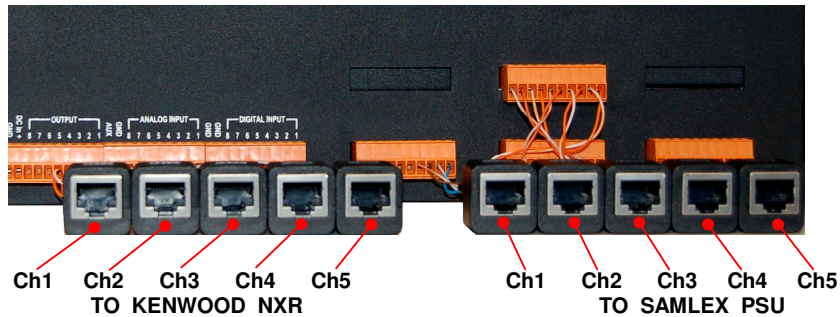


Pin Position for Samlex PSU Adaptor



Pin Position for KENWOOD Adaptor

Use a RJ45 Straight through cable to connect the Kenwood NXR / Samlex PSU with the proper channel on siteRSM 2RU.





SiteRSM I/O Connection (Exciter Only)

Digital Input	Description
1	NXR 1 Transmit Indication
2	NXR 2 Transmit Indication
3	NXR 3 Transmit Indication
4	NXR 4 Transmit Indication
5	NXR 5 Transmit Indication
6	Power Supply 1 Module 1
7	Power Supply 1 Module 2
8	Power Supply 1 Fan Failure
9	Power Supply 1 AC Mains
10	Power Supply 2 Module 1
11	Power Supply 2 Module 2
12	Power Supply 2 Fan Failure
13	Power Supply 2 AC Mains
14	Power Supply 3 Module 1
15	Power Supply 3 Module 2
16	Power Supply 3 Fan Failure
17	Power Supply 3 AC Mains
18 to 24	Not Used

Digital Output	Description
1	NXR 1 Disable (pin 6)
2	NXR 2 Disable (pin 6)
3	NXR 3 Disable (pin 6)
4	NXR 4 Disable (pin 6)
5	NXR 5 Disable (pin 6)
6 to 8	Not Used

Analog Input	Description	Input Qualification		Output Mapping	
		Input	Description	Output	Description
1 to 8	Not Used				
9	NXR 1 Current Shunt	1	NXR 1 Transmit Indication	1	NXR 1 Disable (pin 6)
10	NXR 2 Current Shunt	2	NXR 2 Transmit Indication	2	NXR 2 Disable (pin 6)
11	NXR 3 Current Shunt	3	NXR 3 Transmit Indication	3	NXR 3 Disable (pin 6)
12	NXR 4 Current Shunt	4	NXR 4 Transmit Indication	4	NXR 4 Disable (pin 6)
13	NXR 5 Current Shunt	5	NXR 5 Transmit Indication	5	NXR 5 Disable (pin 6)
14 to 16	Not used				



SiteRSM I/O Connection with Power Amplifier

Digital Input	Description	Output Mapping		Hold Time
		Output	Description	
1	NXR 1 Transmit Indication			
2	NXR 2 Transmit Indication			
3	NXR 3 Transmit Indication			
4	NXR 4 Transmit Indication			
5	NXR 5 Transmit Indication			
6	Power Amp 1 Summary Alarm	1	NXR 1 Disable (pin 6)	0-255 sec
7	Power Amp 2 Summary Alarm	2	NXR 2 Disable (pin 6)	0-255 sec
8	Power Amp 3 Summary Alarm	3	NXR 3 Disable (pin 6)	0-255 sec
9	Power Supply 1 Module 1			
10	Power Supply 1 Module 2			
11	Power Supply 1 Fan Failure			
12	Power Supply 1 AC Mains			
13 to 14	Not Used			
15	Power Amp 4 Summary Alarm	4	NXR 4 Disable (pin 6)	0-255 sec
16	Power Amp 5 Summary Alarm	5	NXR 5 Disable (pin 6)	0-255 sec
17	Power Supply 3 Module 1			
18	Power Supply 3 Module 2			
19	Power Supply 3 Fan Failure			
20	Power Supply 3 AC Mains			
21	Power Supply 2 Module 1			
22	Power Supply 2 Module 2			
23	Power Supply 2 Fan Failure			
24	Power Supply 2 AC Mains			
25	Power Supply 5 Module 1			
26	Power Supply 5 Module 2			
27	Power Supply 5 Fan Failure			
28	Power Supply 5 AC Mains			
29	Power Supply 4 Module 1			
30	Power Supply 4 Module 2			
31	Power Supply 4 Fan Failure			
32	Power Supply 4 AC Mains			

Digital Output	Description
1	NXR 1 Disable (pin 6)
2	NXR 2 Disable (pin 6)
3	NXR 3 Disable (pin 6)
4	NXR 4 Disable (pin 6)
5	NXR 5 Disable (pin 6)
6 to 8	Not Used



TASC

Systems Inc.



Analog Input	Description	Input Qualification		Output Mapping	
		Input	Description	Output	Description
1	Power Amp 1 Summary Alarm	1	NXR 1 Transmit Indication	1	NXR 1 Disable (pin 6)
2	Power Amp 2 Summary Alarm	2	NXR 2 Transmit Indication	2	NXR 2 Disable (pin 6)
3	Power Amp 3 Summary Alarm	3	NXR 3 Transmit Indication	3	NXR 3 Disable (pin 6)
4	Power Amp 4 Summary Alarm	4	NXR 4 Transmit Indication	4	NXR 4 Disable (pin 6)
5	Power Amp 5 Summary Alarm	5	NXR 5 Transmit Indication	5	NXR 5 Disable (pin 6)
6 to 8	Not Used				
9	Power Supply 1 Current Shunt	1	NXR 1 Transmit Indication	1	NXR 1 Disable (pin 6)
10	Power Supply 3 Current Shunt	3	NXR 3 Transmit Indication	3	NXR 3 Disable (pin 6)
11	Power Supply 2 Current Shunt	2	NXR 2 Transmit Indication	2	NXR 2 Disable (pin 6)
12	Power Supply 5 Current Shunt	5	NXR 5 Transmit Indication	5	NXR 5 Disable (pin 6)
13	Power Supply 4 Current Shunt	4	NXR 4 Transmit Indication	4	NXR 4 Disable (pin 6)
14 to 16	Not Used				