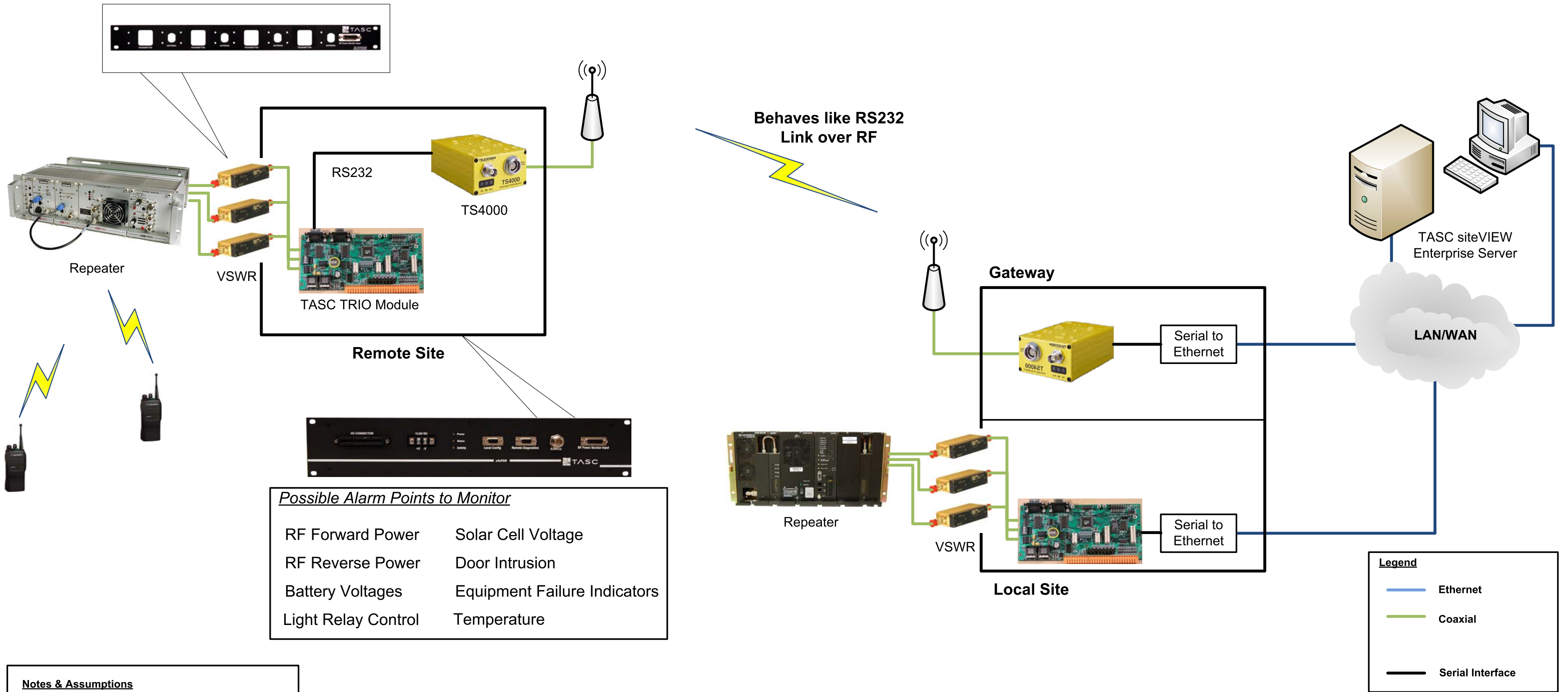


TASC – siteRSM – Example Layout



Notes & Assumptions

RF Infrastructure is maintained and supplied by others

LAN / WAN Security is maintained by other hardware components

LAN / WAN infrastructure is not covered by this document

Some equipment requires 12VDC



9415 - 202nd Street, Langley, BC PH:(604) 888-9711

Title: TASC – siteRSM – Example Layout

Doc No: TASC – siteRSM – Example Layout.vsd

Date: 08/07/2009

By: James Allan