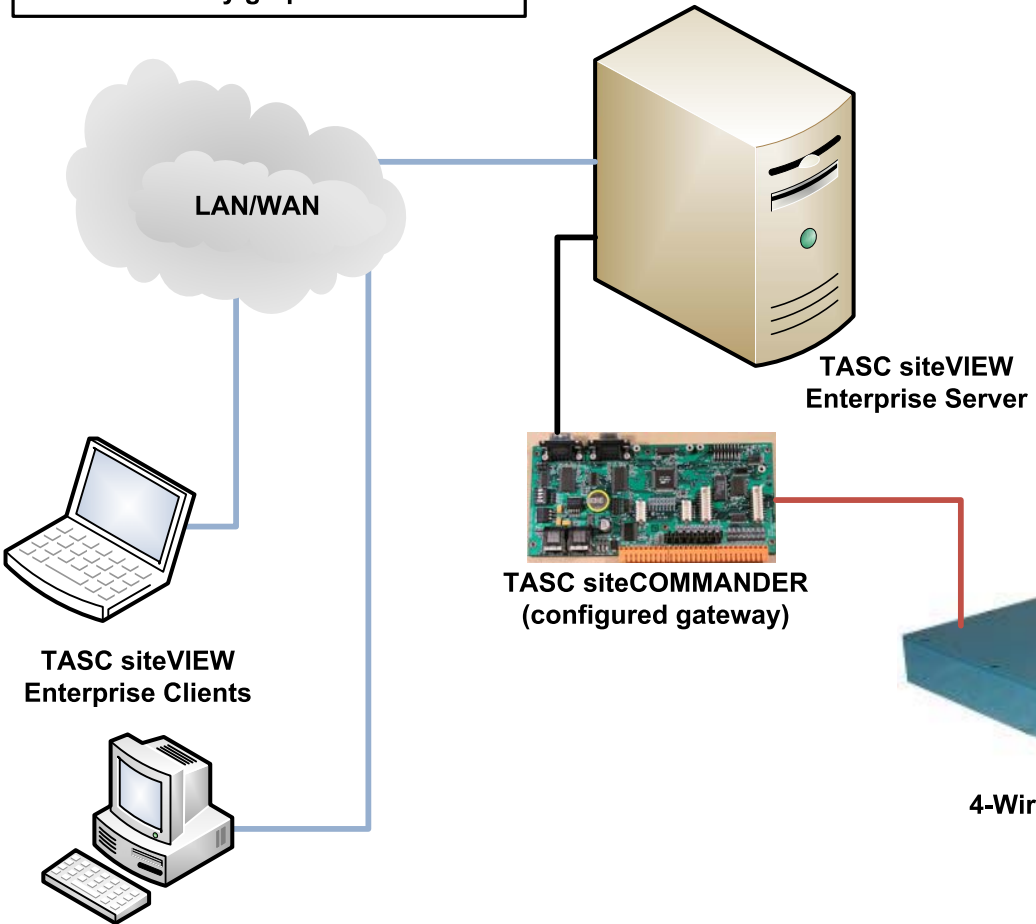


TASC – Remote Site Monitoring – 4 Wire Leased Line

siteVIEW Enterprise provides the back-end database and management point for all system messaging.

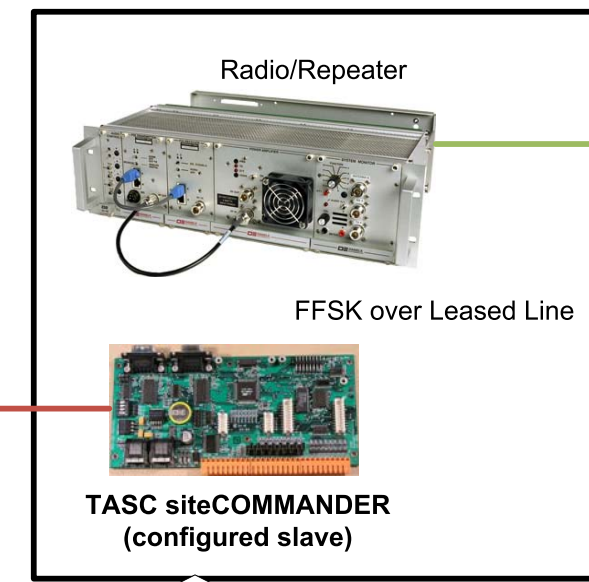
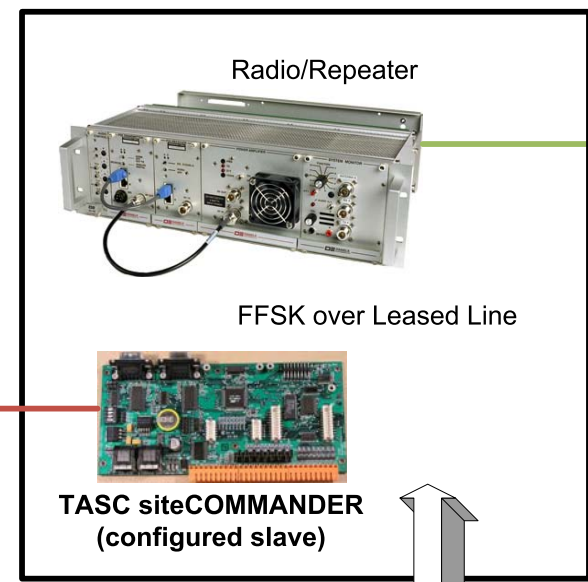
Incoming alarms, status & control messages are fed into the siteVIEW Enterprise. Client workstations make TCP/IP connections to the siteVIEW Enterprise in order to view the system in a user friendly graphic interface.



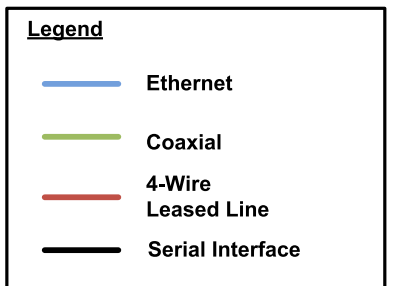
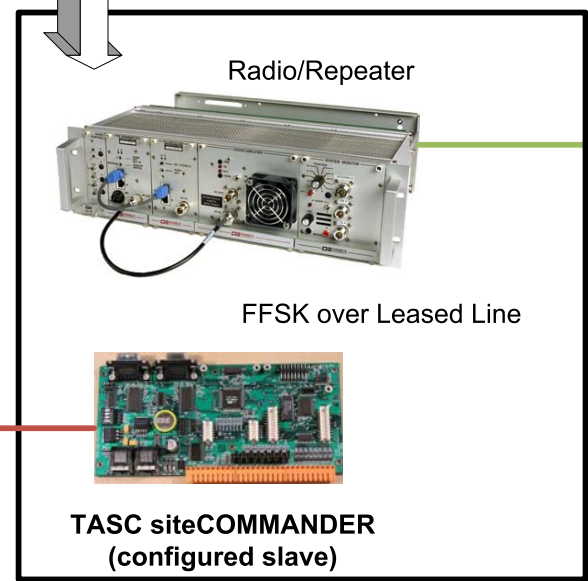
siteVIEW Enterprise scales to suit the architecture of the application. It can grow from a single server environment to a multi-tier client-server setup.

Notes & Assumptions

- 4-Wire Leased Line infrastructure maintained and supplied by others
- LAN / WAN Security is maintained by other hardware components
- LAN / WAN infrastructure is not covered by this document
- Some equipment requires 12VDC



- Possible Alarm Points to Monitor*
- RF Forward Power
 - RF Reverse Power
 - Battery Voltages
 - Light Relay Control
 - Solar Cell Voltage
 - Door Intrusion
 - Equipment Failure Indicators
 - Temperature



9415 - 202nd Street, Langley, BC PH:(604) 888-9711

Title: TASC - Remote Site Monitoring - 4 Wire Leased Line

Doc No:TASC - Remote Site Monitoring - 4 Wire Leased Line.vsd

Date: 31/12/2008 By: James Allan