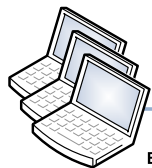


TASC - Remote Site Monitoring – 4 Wire Example



TASC siteVIEW Enterprise Clients

siteVIEW Enterprise scales to suit the architecture of the application. It can grow from a single server environment to a multi-tier client-server setup.



LAN/WAN

TASC siteVIEW Enterprise Server

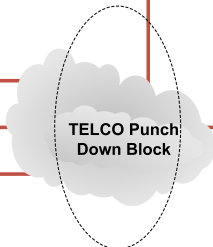


TASC siteCOMMANDER (configured gateway)

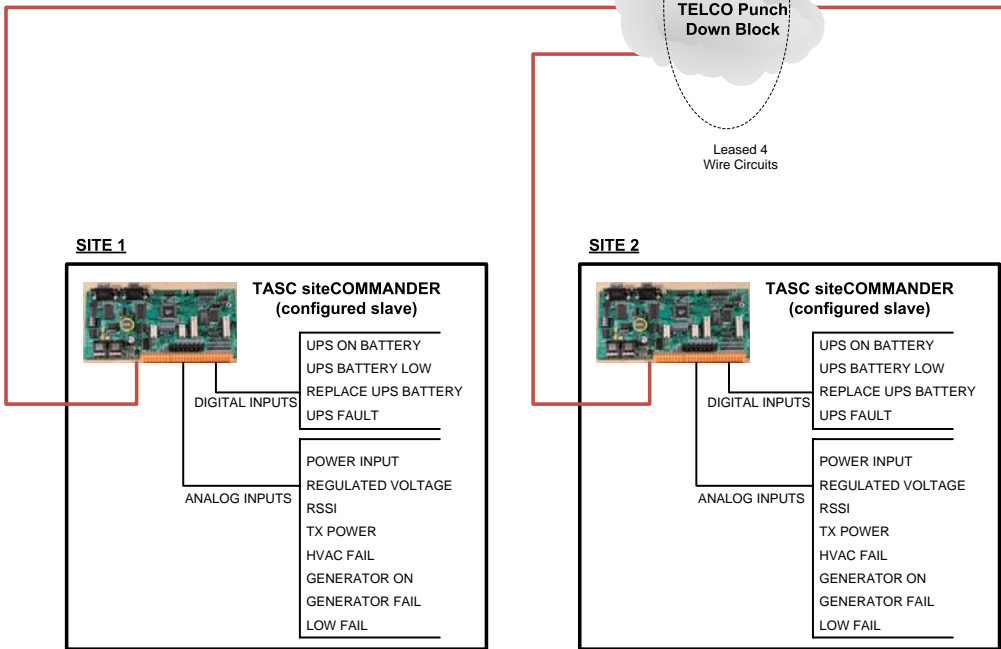


siteVIEW Enterprise provides the back-end database and management point for all system messaging.

Incoming alarms, status & control messages are fed into the siteVIEW Enterprise. Client workstations make TCP/IP connections to the siteVIEW Enterprise in order to view the system in a user friendly graphic interface.



Leased 4 Wire Circuits



SITE 1

TASC siteCOMMANDER (configured slave)

DIGITAL INPUTS	UPS ON BATTERY UPS BATTERY LOW REPLACE UPS BATTERY UPS FAULT
ANALOG INPUTS	POWER INPUT REGULATED VOLTAGE RSSI TX POWER HVAC FAIL GENERATOR ON GENERATOR FAIL LOW FAIL

SITE 2

TASC siteCOMMANDER (configured slave)

DIGITAL INPUTS	UPS ON BATTERY UPS BATTERY LOW REPLACE UPS BATTERY UPS FAULT
ANALOG INPUTS	POWER INPUT REGULATED VOLTAGE RSSI TX POWER HVAC FAIL GENERATOR ON GENERATOR FAIL LOW FAIL

SITE 4

TASC siteCOMMANDER (configured slave)

DIGITAL INPUTS	UPS ON BATTERY UPS BATTERY LOW REPLACE UPS BATTERY UPS FAULT
ANALOG INPUTS	POWER INPUT REGULATED VOLTAGE RSSI TX POWER HVAC FAIL

SITE 3

TASC siteCOMMANDER (configured slave)

DIGITAL INPUTS	UPS ON BATTERY UPS BATTERY LOW REPLACE UPS BATTERY UPS FAULT
ANALOG INPUTS	POWER INPUT REGULATED VOLTAGE RSSI TX POWER HVAC FAIL

Legend

- Ethernet
- 4-Wire Leased Line
- Serial Interface

Notes & Assumptions

- 4-Wire Leased Line infrastructure maintained and supplied by others
- LAN / WAN Security is maintained by other hardware components
- LAN / WAN infrastructure is not covered by this document
- Some equipment requires 12VDC



9415 - 202nd Street, Langley, BC PH:(604) 888-9711